

1

2

3

4

A

A

B

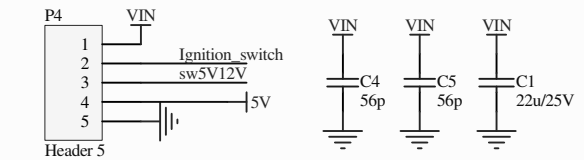
B

C

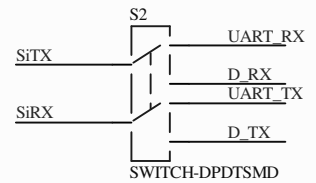
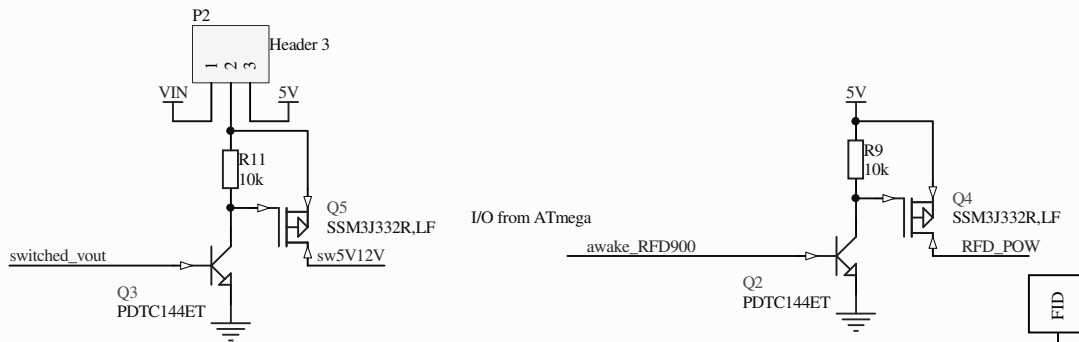
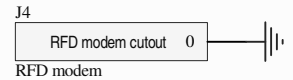
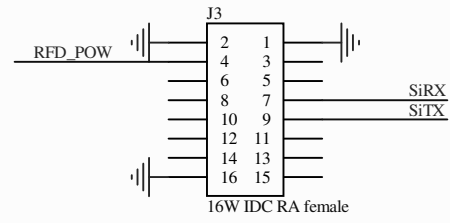
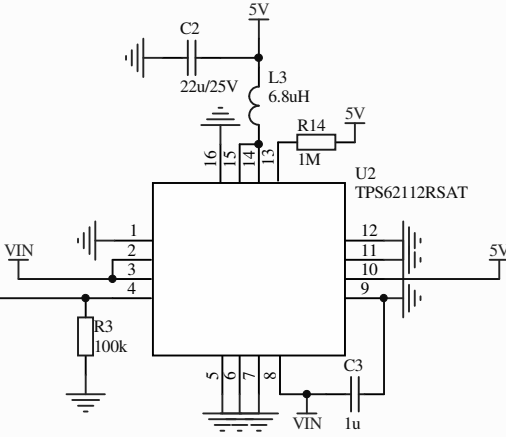
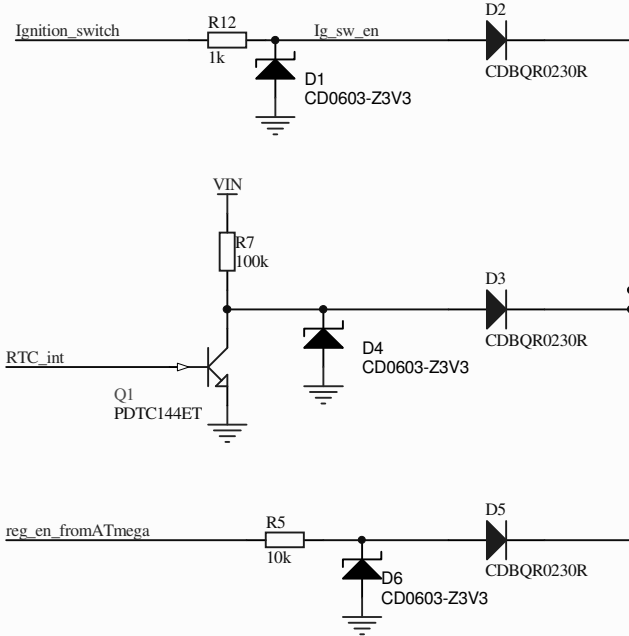
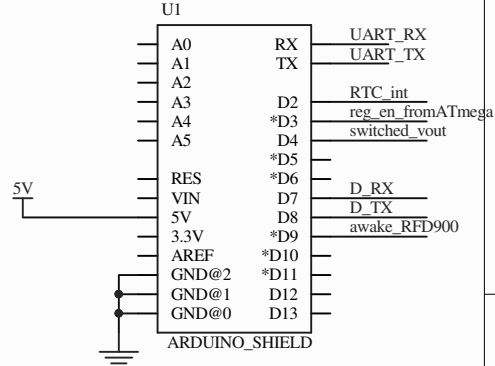
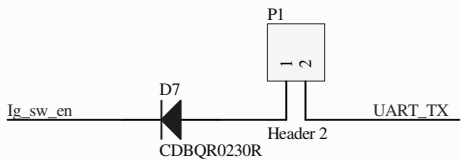
C

D

D



Optional link from the UART_Tx pin to the Ignition Switch



Title RFD900 Shield		RFDesign Pty Ltd Unit 1/373 Bradman St. Acacia Ridge QLD 4110 Brisbane Australia	
Size: A3	Number: R9SV2.0	Revision: 2.0	
Date: 15/07/2014	Engineer: TM	Sheet 1 of 1	
		Approved By: SS	Copyright (c) 2014